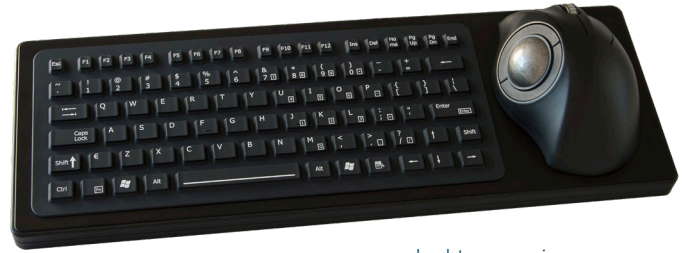




panel mount



desktop version

- 85 keys, silicone rubber
- IP67 sealing
- 38 mm ergonomic trackball

COMPACT RUBBER KEYBOARD WITH ERGONOMIC TRACKBALL

This 85 key backlit keyboard features a compact keyboard with integrated waterproof 38 mm ergonomic trackball with scroll wheel. The rubber keys are proven for efficient cleaning, reduced disinfection time and protection against cross contamination. The backlit keys warrant for optimized performance while working in low-light environments. Panel mount and desktop version available.

MAIN FEATURES

- Compact layout, 85 full travel keys
- 38 mm waterproof ergonomic trackball with hall-effect scroll wheel
- Removable ball for easy cleaning
- Dimmable backlighting at 8 levels by two dedicated keys (FN key + arrow up/down)
- No external power supply necessary, keyboard port power sufficient
- Low power LED's warrant for a long life
- White backlighting as standard, other colours on request
- Compact thickness

PANEL MOUNT VERSION

- Front panel mounting with M3 stud, 10 x M3 x 15 mm
- Dimensions: 415 x 145 x 79 mm
- Weight: 0,7 kg

DESKTOP VERSION

- ABS enclosure
- Dimensions: 420 x 150 x 68,22 mm
- Weight: 1,2 kg

CUSTOMIZATION

Possible customization includes adapted backlighting controls, addition of company logo or specific function keys, different layouts, different colour.

GENERAL TECHNICAL SPECIFICATIONS

KEYBOARD

Sealing
Keys
Pointing device
Output
Power requirements
Operating temp.
Storage temp.
Switch force
Switch stroke
Lifetime switches

IP67 sealed frontal
85 full travel rubber keys
38 mm ergonomic trackball
1,6 m USB cable
Directly from USB port
-15°C to +70°C
-40°C to +85°C
300 grams ± 100 grams
1,5 mm
1 million actuations

TRACKBALL

Ball size/material
Tracking force
Ball load

Ø38,1 mm (1.5")/Epoxy resin
30 - 80 grams - PTFE seal
100N (10 kg) maximum downward pressure for 2 minutes @ 20°C
30 IPS (inches per second)
Infra-red optical navigation technology
PC/ABS, black

Resolvable ball speed
Tracking engine
Removable ring

Ø25 mm
PC/ABS
Grey
Hall effect
N42
30 grams nominal
275 ± 125 grams force

SCROLL WHEEL

Wheel diameter
Wheel material
Wheel colour
Encoding technology
Magnet strength
Dentent-scrolling force
Switch actuation force

LEFT/RIGHT SWITCH

Switch actuation force

250 ± 100 grams force



ORDER INFO

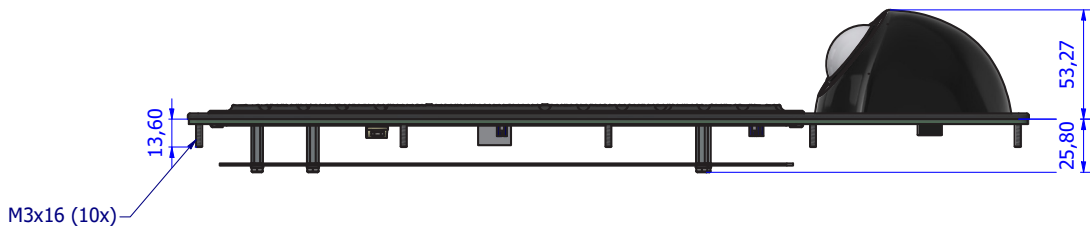
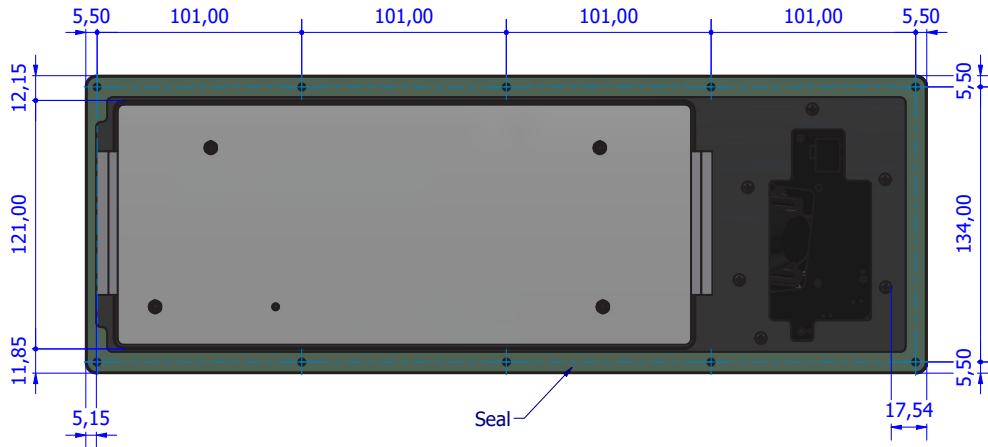
COUNTRY LAYOUT	PANEL MOUNT	DEKSTOP VERSION
US Qwerty	RKTE85B0001-WLED	RKTE85S0001-WLED
Cyrillic Qwerty	RKTE85B0007-WLED	RKTE85S0007-WLED
French Azerty	RKTE85B0033-WLED	RKTE85S0033-WLED
Danish Qwerty	RKTE85B0045-WLED	RKTE85S0045-WLED
German Qwertz	RKTE85B0049-WLED	RKTE85S0049-WLED

USB output
White backlighting as standard, other colours on request

The company reserves the right to alter without prior knowledge the specification or design of any standard product or service.

DIMENSIONAL DRAWING

PANEL MOUNT



DIMENSIONAL DRAWING

DESKTOP

